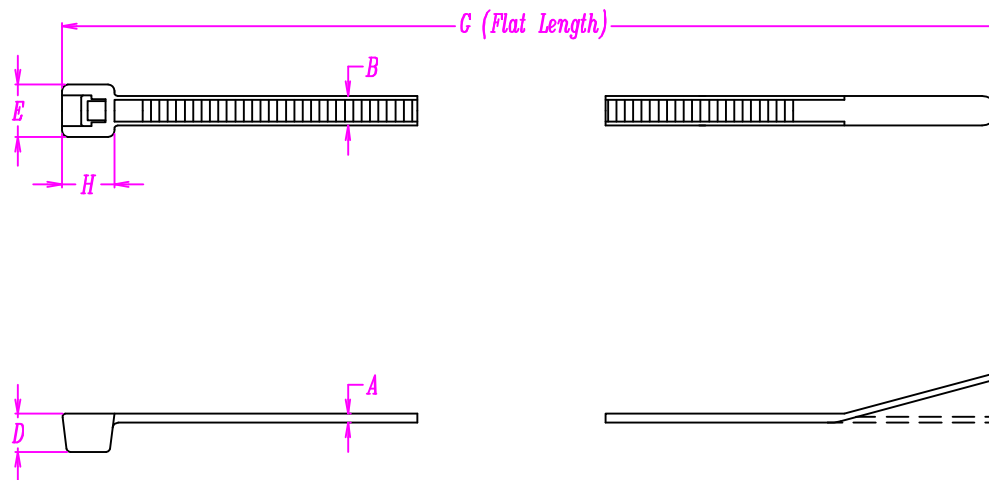


Revision Level		Revision Record	Changed	Date	Approval	Date
Part	Drawing					
	①	Add material: P.A. 46	Mandy Ong	12-Oct-07	Edward Tan	12-Oct-07
	②	Product dimensions update (Group Standard – July'08)	Mandy Ong	10-Dec-08	Edward Tan	10-Dec-08
	③	Group Standard revision (July'10) – 202.0 ± 11.0 was 202.0 ± 10.0	Mandy Ong	01-July-10	Edward Tan	01-July-10
	④	Updated pictogramme and drawing template.	SIMON NG	25-Feb-19	Edward Tan	25-Feb-19
	④.1	Added HT Global project Number.	SIMON NG	25-Feb-19	Edward Tan	25-Feb-19
	⑤	Amended Bundle diameter from 1 ~ 50mm to 1.5 ~ 50mm due to typo error.	SIMON NG	13-May-19	Edward Tan	13-May-19



②	A	B	D	E	③ G	H
	1.2 ± 0.2	4.6 ± 0.2	5.8 ± 0.3	7.8 ± 0.3	202.0 ± 11.0	7.3 ± 0.7

Bundle ø Max.  
⑤ 1.5 ~ 50mm

Material  
④ P.A. 46  
P.A. 66

Tensile strength  
225N (Minimum)

PERFORMANCE SPECIFICATION

		Drawn	MANDY ONG	12 Oct 2007	Scale: ! : 1	Reference:
		Approved.	EDWARD TAN	12 Oct 2007	Title	
The copyright of this drawing is reserved by HELLERMANN TYTON. It is issued on condition that it is not reproduced, copied or disclosed to a third party, either wholly or in part, without the consent of HELLERMANN TYTON.					T50R	
545, Yishun Industrial Park A Yishun Avenue 7 Singapore 768741 Tel: (+65) 6852 8585 Fax: (+65) 6756 6798			Drawing-No [SG07011-05]			Format 
					12-0123-001-CSH	
						Sheet 1 of 1

Uncontrolled Document