

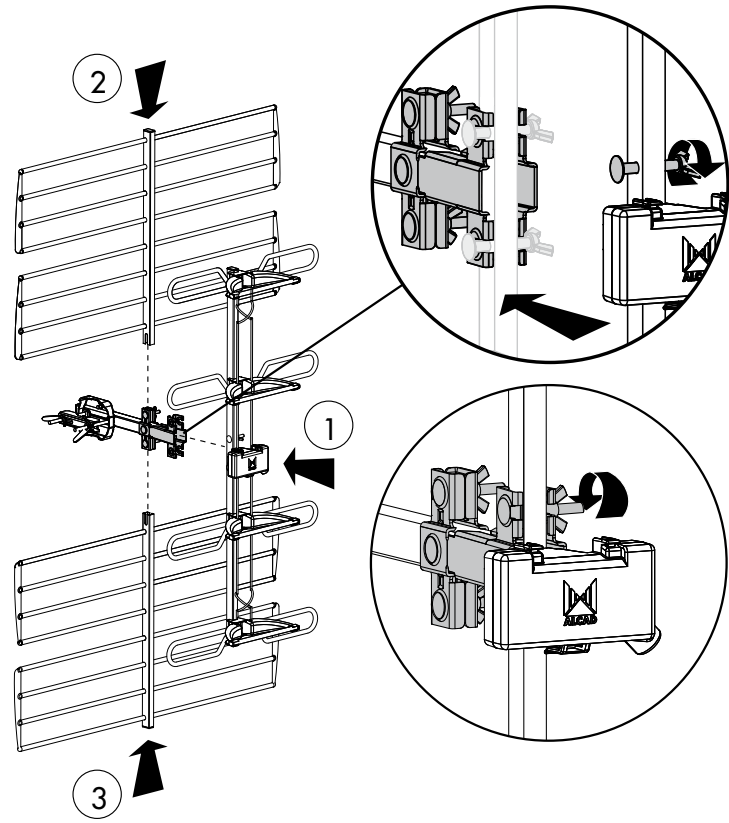


CÓMO MONTAR LA ANTENA
HOW TO MOUNT THE ANTENNA
COMMENT MONTER L'ANTENNE

ANTENAS TV BANDA UHF
TV ANTENNAS UHF BAND
ANTENNES TV BANDE UHF

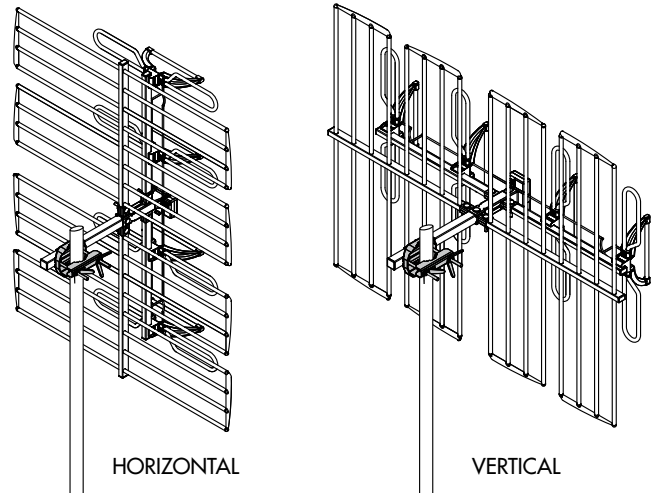
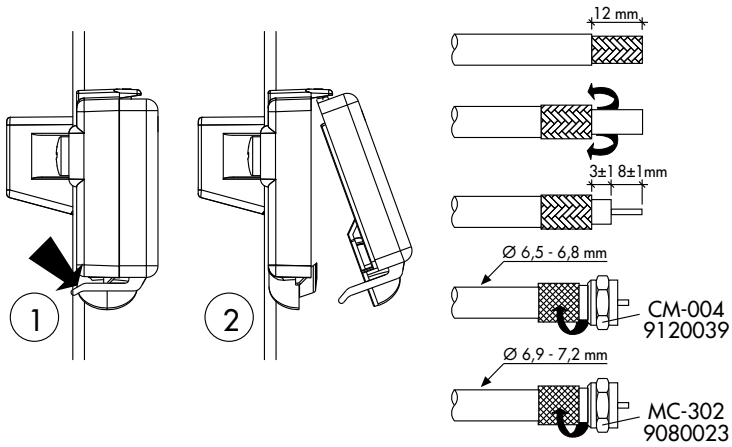


SERIE 900 SERIES

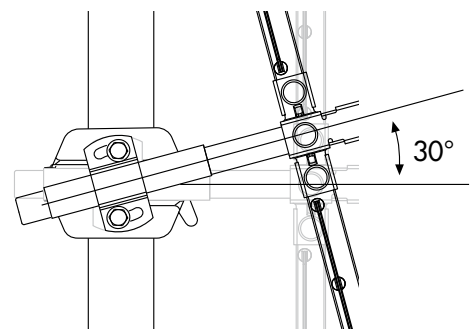
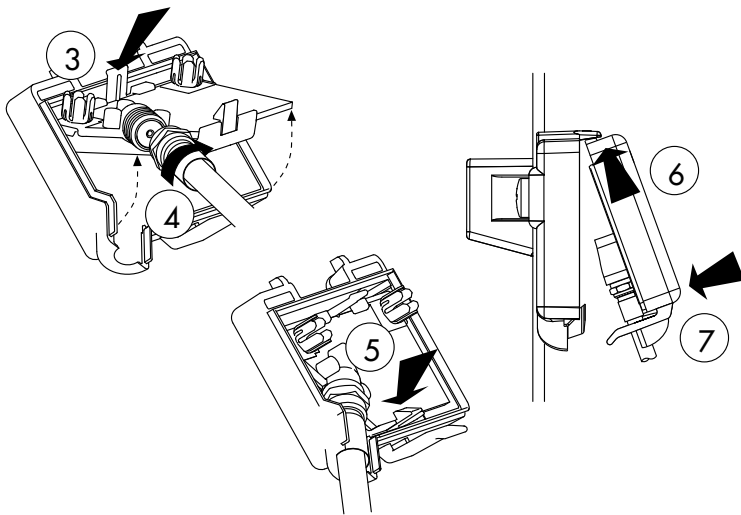


CÓMO CONECTAR EL CABLE COAXIAL EN LA CAJA DEL SIMETRIZADOR
HOW TO CONNECT THE COAXIAL CABLE TO THE MATCHING TRANSFORMER
COMMENT RELIER LE CÂBLE COAXIAL DANS LE BOÎTIER DU SYMÉTRISEUR

MONTAJE DE LA POLARIDAD HORIZONTAL O VERTICAL
MOUNTING IN EITHER HORIZONTAL OR VERTICAL POLARITY
MONTAGE EN HORIZONTAL OU VERTICAL



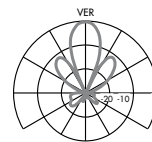
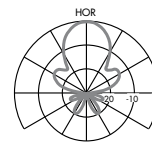
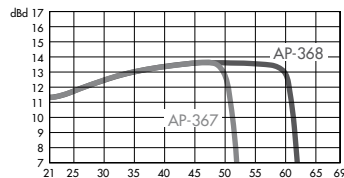
AJUSTE DEL ÁNGULO DE ELEVACIÓN
ELEVATION ANGLE ADJUSTMENT
RÉGLAGE DE L'ANGLE D'ÉLEVATION



CÓDIGO-CODE-CODE	9000197	9000091
MODELO-MODEL-MODEL	AP-367	AP-368
Rango de frecuencias Frequency range Gamme de fréquences	MHz 470-694	470-790
Canales Channels Canaux	20-51 B/B Australia	21-60 B/G, L, I, K1, D/K Standards
Ganancia Gain Gain	dBd 13,5	
Relación delante/detrás Front/back ratio Rapport avant/arriere	dB 25	
Impedancia Impedance Impédance	Ω 75	
Pérdidas de retorno Return loss Pertes de retour	dB >10	
Polarización Polarity Polarisation	HOR/VER	
Ángulo de apertura Beam width Angle d'ouverture	$^{\circ}$ H 45	$^{\circ}$ V 25
Altura / Anchura Height / Width Hauteur / Largeur	mm 840x670	
Resistencia al viento Wind loading Résistance au vent	N	H 83 V 108
Índice de protección Protection index Indice de protection	IP 53	

Todas las antenas incorporan simetrizador.
All antennas supplied with matching transformer.
Toutes les antennes ont un symétriseur.

CURVA DE GANANCIA Y DIAGRAMAS DE RADIACIÓN GAIN AND RADIATION GRAPHICS COURBE DU GAIN ET DIAGRAMME DE RAYONNEMENT



DECLARATION OF CONFORMITY

according to EN ISO/IEC 17050-1:2004

Company Name: ALCAD, S.L.
Company Address: Pol. Ind. Arreche-Ugalde, 1
Apdo. 455, **20305 IRUN** (Guipúzcoa), **SPAIN**

declares that the product
Model Number(s): AP-367, AP-368
Product Description: TV ANTENNAS UHF BAND
Product Option(s): INCLUDING ALL OPTIONS

is in conformity with:
Safety: EN 60728-11:2005

The product herewith complies with the requirements of the Low Voltage Directive 2006/95/EC and the EMC Directive 2004/108/EC.

Supplementary Information: To comply with these directives, do not use the products without covers and operate the system as specified.



Irún (SPAIN), 17 Mar 2014

Xabier Isasa
General Manager

Especificaciones sujetas a modificación sin previo aviso
Specifications subject to modifications without prior notice
Les spécifications sont soumises à de possible modifications sans avis préalable



ALCAD, S.L.
Tel. 943 63 96 60
Fax 943 63 92 66
Int. Tel. +34 - 943 63 96 60
info@alcad.net
Apdo. 455 - Pol. Ind. Arreche-Ugalde,1
20305 IRUN - Spain
www.alcad.net

FRANCE - Hendaye
Tel. 00 34 - 943 63 96 60

CZECH REPUBLIC - Ostrova tice
Tel. 546 427 059

UNITED ARAB EMIRATES - Dubai
Tel. 971 4 214 61 40

TURKEY - Istanbul
Tel. 212 295 97 00

