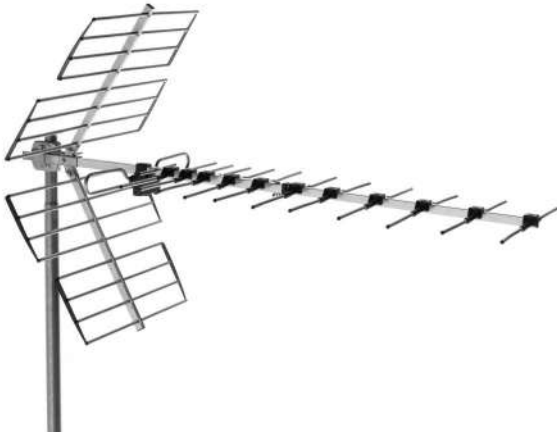


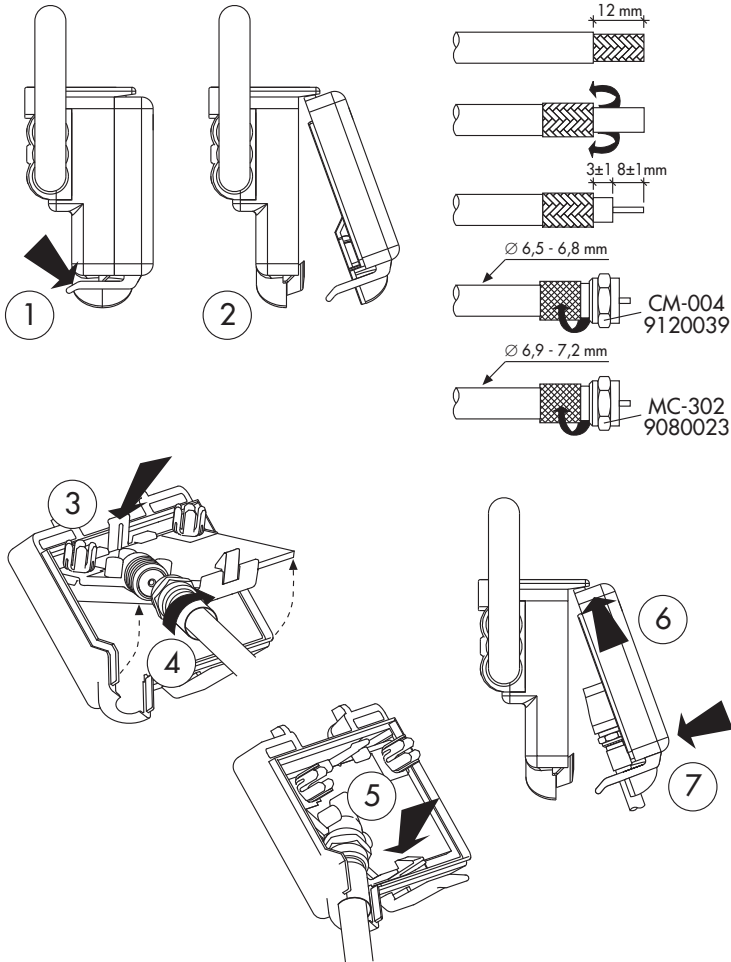


ANTENAS TV BANDA UHF
TV ANTENNAS UHF BAND
ANTENNES TV BANDE UHF

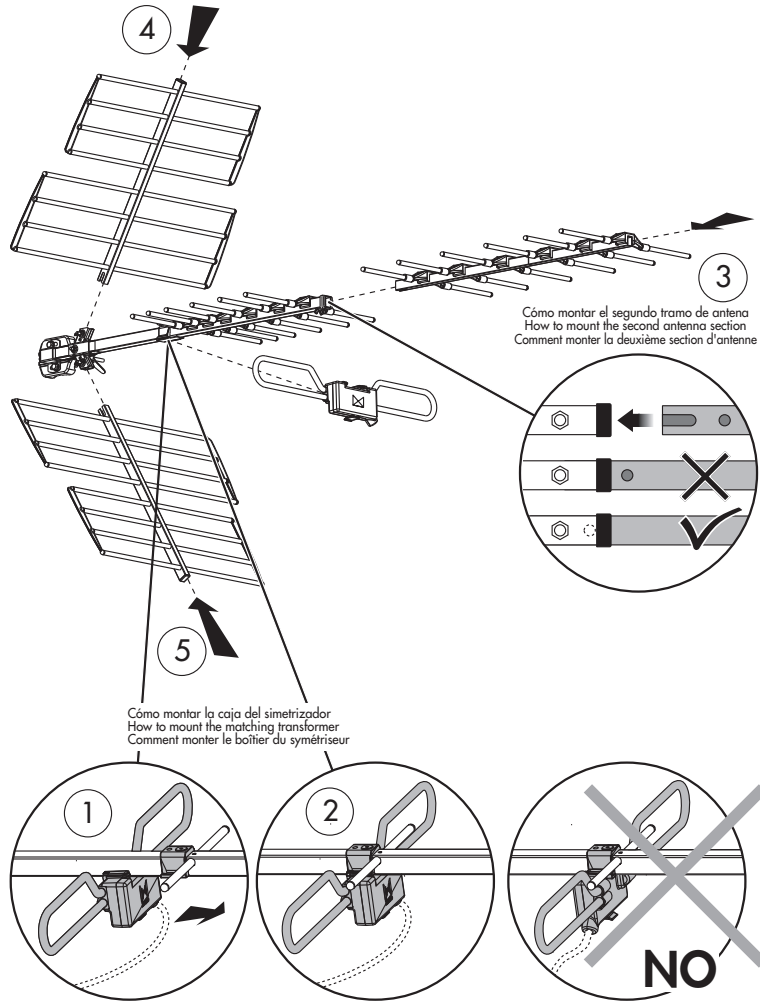


SERIE 900 SERIES

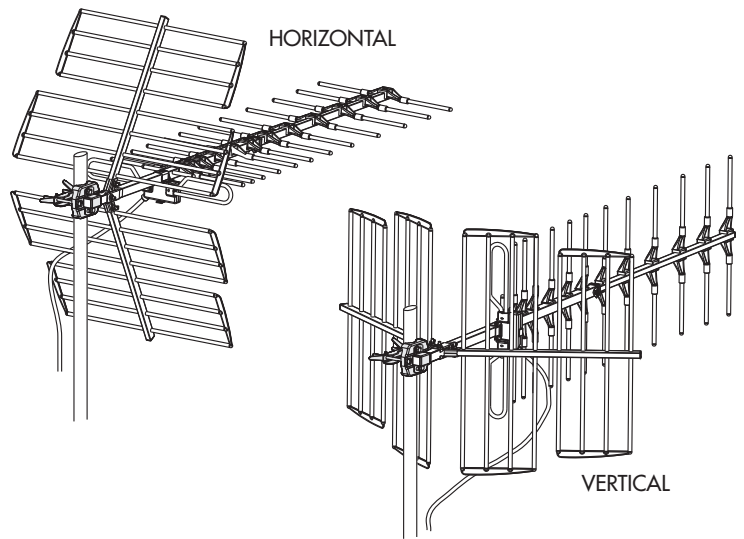
CÓMO CONECTAR EL CABLE COAXIAL EN LA CAJA DEL SIMETRIZADOR
HOW TO CONNECT THE COAXIAL CABLE TO THE MATCHING TRANSFORMER
COMMENT RELIER LE CÂBLE COAXIAL DANS LE BOÎTIER DU SYMÉTRISEUR



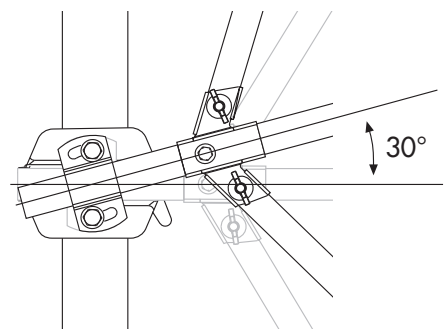
CÓMO MONTAR LA ANTENA BU-456
HOW TO MOUNT THE ANTENNA BU-456
COMMENT MONTER L'ANTENNE BU-456



MONTAJE DE LA POLARIDAD HORIZONTAL O VERTICAL
MOUNTING IN EITHER HORIZONTAL OR VERTICAL POLARITY
MONTAGE EN HORIZONTAL OU VERTICAL



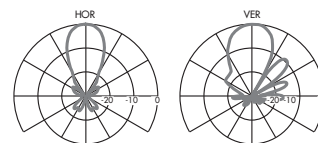
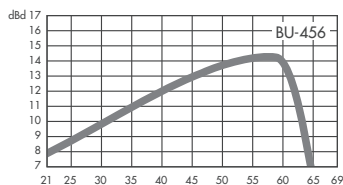
AJUSTE DEL ÁNGULO DE ELEVACIÓN
ELEVATION ANGLE ADJUSTMENT
RÉGLAGE DE L'ANGLE D'ÉLEVATION



CÓDIGO-CODE-CODE	9000083	
MODELO-MODEL-MODELE	BU-456	
Rango de frecuencias Frequency range Gamme de fréquences	MHz	470-790
Canales Channels Canaux		21-60
Ganancia Gain Gain	dBd	14
Relación delante/detrás Front/back ratio Rapport avant/arriere	dB	25
Impedancia Impedance Impédance	Ω	75
Pérdidas de retorno Return loss Pertes de retour	dB	≥ 10
Polarización Polarity Polarisation		HOR /VER
Ángulo de apertura Beam width	$^{\circ}$ H	24
Angle d'ouverture	$^{\circ}$ V	32
Longitud Length Longueur	mm	1298
Resistencia al viento Wind loading Résistance au vent	N H V	89 93
Índice de protección Protection index Indice de protection		IP 53

Todas las antenas incorporan simetrizador.
All antennas supplied with matching transformer.
Toutes les antennes ont un symétriseur.

CURVA DE GANANCIA Y DIAGRAMAS DE RADIACIÓN
GAIN AND RADIATION GRAPHICS
COURBE DU GAIN ET DIAGRAMME DE RAYONNEMENT



DECLARATION OF CONFORMITY

according to EN ISO/IEC 17050-1:2004

Company Name: ALCAD, S.L.
Company Address: Pol. Ind. Arreche-Ugalde, 1
Apdo. 455, 20305 IRÚN (Guipúzcoa), SPAIN

declares that the product
Model Number(s): BU-456
Product Description: TV ANTENNAS UHF BAND
Product Option(s): INCLUDING ALL OPTIONS

is in conformity with:
Safety: EN 60728-11:2005

The product herewith complies with the requirements of the Low Voltage Directive 2006/95/EC and the EMC Directive 2004/108/EC.

Supplementary Information: To comply with these directives, do not use the products without covers and operate the system as specified.



Irún (SPAIN), 02 Feb 2012

Anton Galarza
General Manager

Especificaciones sujetas a modificación sin previo aviso
Specifications subject to modifications without prior notice
Les spécifications sont soumises à de possible modifications sans avis préalable



ALCAD, S.L.
Tel. 943 63 96 60
Fax 943 63 92 66
Int. Tel. +34 - 943 63 96 60
info@alcad.net
Apdo. 455 - Pol. Ind. Arreche-Ugalde,1
20305 IRUN - Spain
www.alcad.net

FRANCE - Hendaye
Tel. 00 34 - 943 63 96 60

CZECH REPUBLIC - Ostrovacice
Tel. 546 427 059

UNITED ARAB EMIRATES - Dubai
Tel. 971 4 214 61 40

TURKEY - Istanbul
Tel. 212 295 97 00

